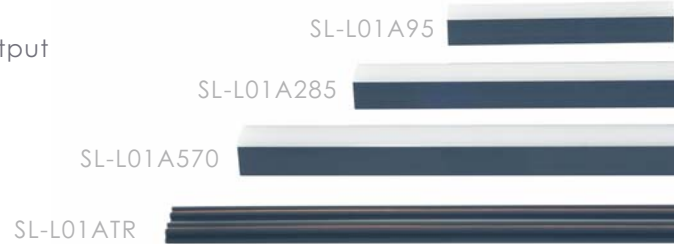




Dot-free Seamless Magnetic LED Light System SL-L01A

- super slim linear with power track
- Greatly extends the length of a run with a single power point
- Fixtures with Magnetic stick onto the track with no breaks light output
- Available in silver, black
- To be used with constant Voltage DC24V Driver
- Dimmable with available accessories.

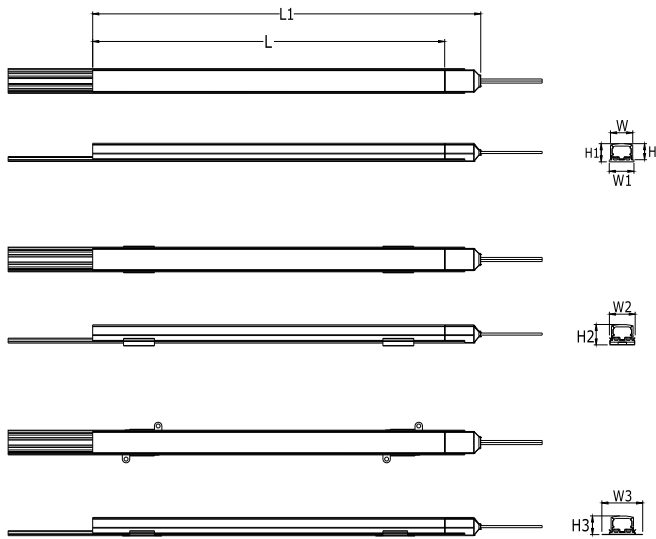


Products Parameters

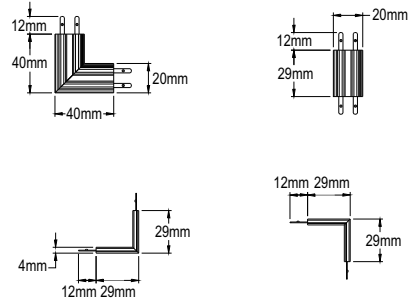
Model No.	voltage	Power	Luminous	Effective	CRI	CCT	Working Tem.
SL-L01A95	DC24V	1.5W	127.5lm	85lm/W	Ra>90	2700K/3000K/4000K/6000K	0~45 °C
SL-L01A285	DC24V	4.5W	382.5lm	85lm/W	Ra>90	2700K/3000K/4000K/6000K	0~45 °C
SL-L01A570	DC24V	9.0W	765.0lm	85lm/W	Ra>90	2700K/3000K/4000K/6000K	0~45 °C
SL-L01A-LHL/LHR	DC24V	1.5W	127.5lm	85lm/W	Ra>90	2700K/3000K/4000K/6000K	0~45 °C
SL-L01A-LVU/LVD	DC24V	1.5W	127.5lm	85lm/W	Ra>90	2700K/3000K/4000K/6000K	0~45 °C

Drawing:

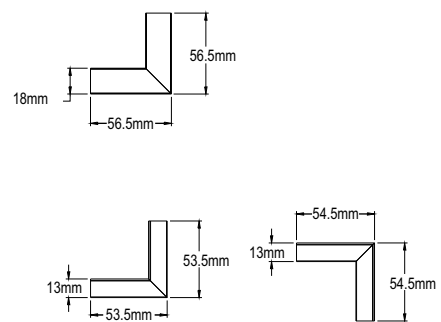
Model	Voltage (V)	Power (w)	L (mm)	L1 (mm)	W (mm)	W1 (mm)	W2 (mm)	W3 (mm)	H (mm)	H1 (mm)	H2 (mm)	H3 (mm)
SL-L01A95	24	1.50	95.0	124.0	18.0	20.0	21.5	33.0	13.0	14.7	17.0	15.0
SL-L01A285	24	4.50	285.0	314.0	18.0	20.0	21.5	33.0	13.0	14.7	17.0	15.0
SL-L01A570	24	9.00	570.0	599.0	18.0	20.0	21.5	33.0	13.0	14.7	17.0	15.0



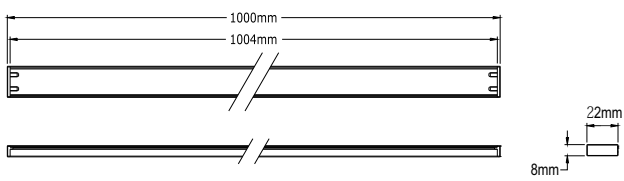
* Connector for Track



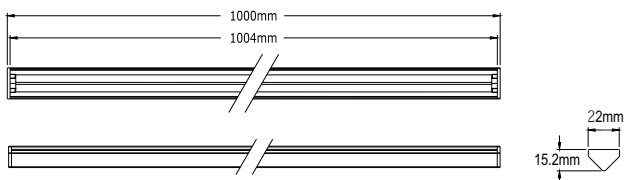
* L Connector



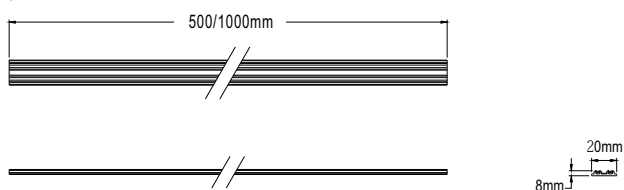
* Rail Extrusion-Flat



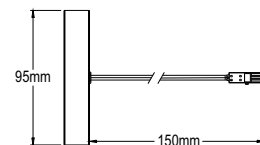
* Rail Extrusion-Cover



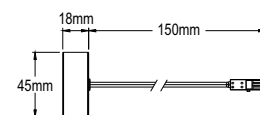
* Power Track



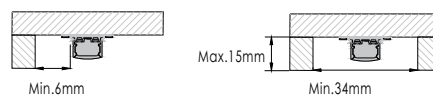
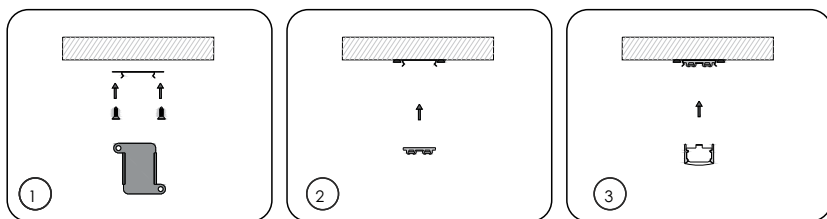
* Side Feeding Unit with light module



* Side Feeding Unit



How to Install



Accessories



- (a) DC Power Track : SLTR1
MAX: 8.0A, L=100cm
- (b) I Connector: SLTR1-IRD
For head-to-tail connection of track. MAX: 8.0A
- (c) L Connector (Horizontal) : STR1-LHL/R
for horizontal right Angle connection of track. MAX: 8.0A
- (d) L Connector (Vertical) : STR1-LVU
for vertical upward connection of track. MAX: 8.0A
- (e) L Connector (Vertical) : STR1-LVD
For vertical downward connection of track. MAX: 8.0A
- (f) Power Feeding Cable: SLTR1-PF

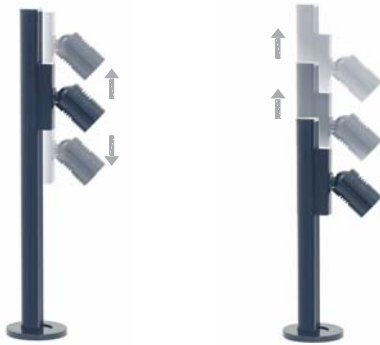
SLTR1-PF-PC03	SLTR1-PF-PC20
L=30CM,MAX: 8.0A	L=200CM,MAX: 8.0A
- (g) Jumper Cable for Track: SLTR1-JC

STR1-JC03	STR1-JC20
L=30CM,MAX: 8.0A	L=200CM,MAX: 8.0A
- (h) Side feeding unit without light: STR1-CTL
Supply power to other light, L=15cm, MAX: 4.0A
- (i) Side feeding unit without light: STR1-CTLB
Supply power to other light, L=15cm, MAX: 4.0A
- (j) End Cap: SLTR1-EC
- (k) Clips(Default): SLTR1-MCA
- (l) Clips(for Narrow): SLTR1-MCB
- (m) Rail Extrusion-Flat: SLTR1-MF
- (n) Rail Extrusion-Cover: SLTR1-MV
- (o) Side Feeding Unit: SL-L01A-SFA
Power for other light L=15cm,MAX: 4.0A
- (p) Side Feeding Unit: SL-L01A-SFB
Power For other light L=15cm,MAX: 4.0A
- (q) Horizontal L Connector (Left) : SL-L01A-LHL
- (r) Horizontal L Connector (Right) : SL-L01A-LHR
- (s) Vertical L Connector (Upward) : SL-L01A-LVU
- (t) Vertical L Connector (Downward) : : SL-L01A-LVD



Magnetic Mini LED Spotlight AM-TR001

- Compatible and linkable with track system .
- Slide and Rotate with Mini LED
- Suitable for furniture and showcase application
- Simple plug & play connect to the power track
- available in silver and black
- To be used with DC12V or 24V



Spotlight can slide freely

SL-SL01

More Choice



Power Feeding Cable
SL-L01A-PC



Jump Cable
SL-L01A-JC



Full Mini Spotlight Set



Mounting Clip
STR1-MCA



3M Adhesive



Rail Extrusion-Flat
SLTR1-MF

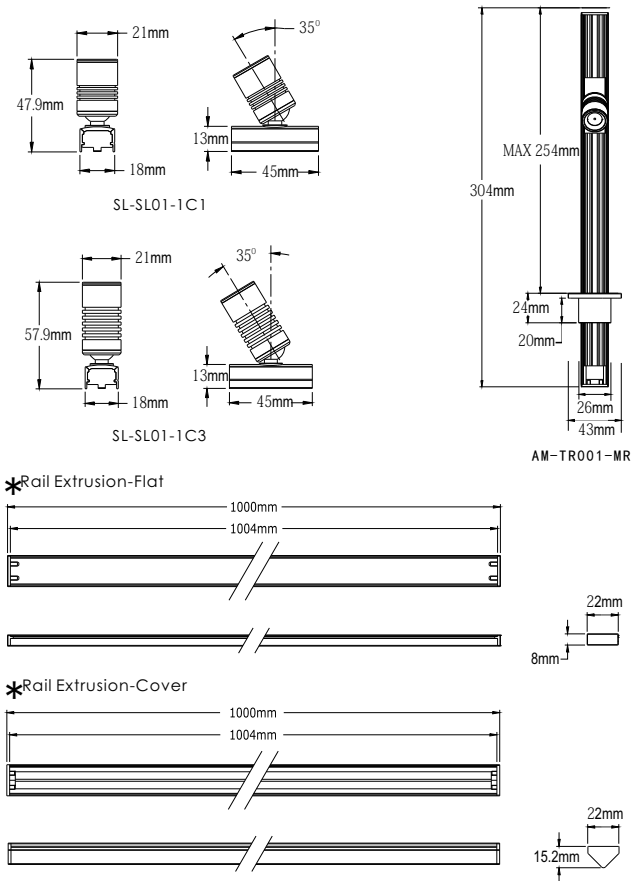


Rail Extrusion-Cover
SLTR1-MV

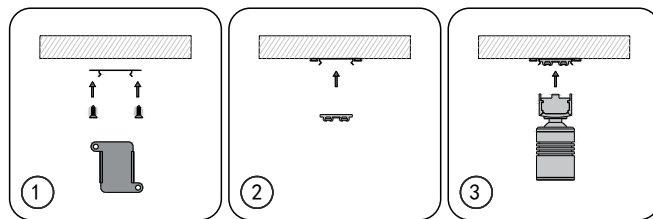
Product Parameters

Model	Voltage	Power	Lumen Flux	Effective	Beam Angle	CRI	CCT	Working Tem.
SL-SL01-1C1	DC12/24V	1.0W	85.0lm	85lm/W	15°/30°/45°	Ra>90	2700K/3000K/4000K/6000K	0~45 °C
SL-SL01-1C3	DC12/24V	3.0W	195.0lm	65lm/W	15°/30°/45°	Ra>90	2700K/3000K/4000K/6000K	0~45 °C

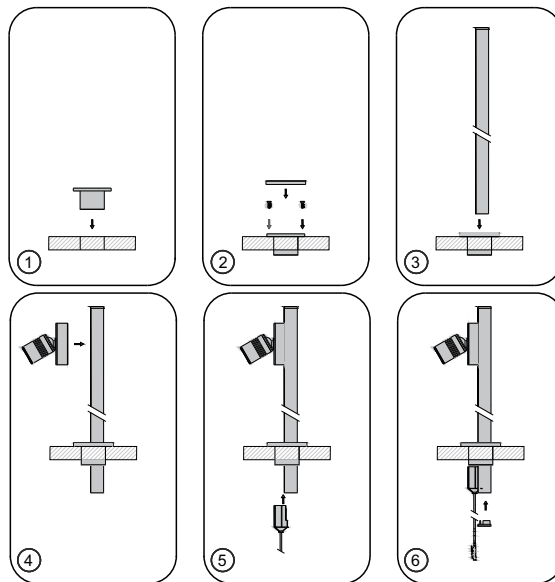
Drawing



Installation



*SL-SL01-MR



Accessories



- a) DC Power Track : SLTR1
MAX: 8.0A, L=100cm
- b) I Connector: SLTR1-IRD
For head-to-tail connection of track. MAX: 8.0A
- c) L Connector (Horizontal) : STR1-LHL/R
for horizontal right Angle connection of track. MAX: 8.0A
- d) L Connector (Vertical) : STR1-LVU
for vertical upward connection of track. MAX: 8.0A
- e) L Connector (Vertical) : STR1-LVD
For vertical downward connection of track. MAX: 8.0A
- f) Power Feeding Cable: SLTR1-PF

SLTR1-PF-PC03	SLTR1-PF-PC20
L=30CM, MAX: 8.0A	L=200CM, MAX: 8.0A
- g) Jumper Cable for Track: SLTR1-JC

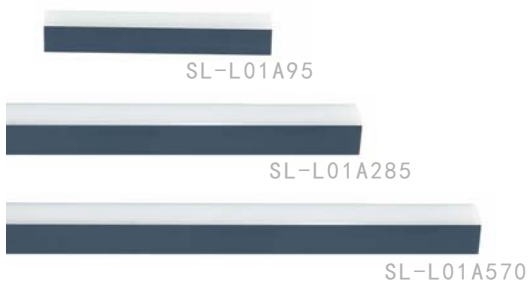
STR1-JC03	STR1-JC20
L=30CM, MAX: 8.0A	L=200CM, MAX: 8.0A
- h) Clips(Default):SLTR1-MCA
- i) Clips(for Narrow):SLTR1-MCB
- j) Rail Extrusion-Flat: SLTR1-MF
- k) Rail Extrusion-Cover: SLTR1-MV
- l) Set of Spotlight: SL-SL01-MR



Dot-free Seamless LED Liner Light

SL-LA01

- Seamless design keeps consistent LED spacing, even when fixture are linked end to end
- Easy connection, linkable with unique magnetic connector
- Sidefeed LED Light module for seamless extension
- Available in silver, black
- To be used with constant Voltage DC24V Driver



Various Accessories

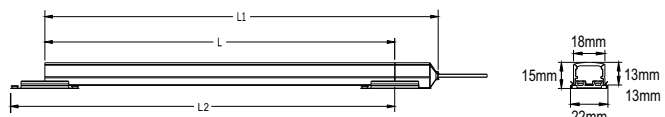


Products Parameters

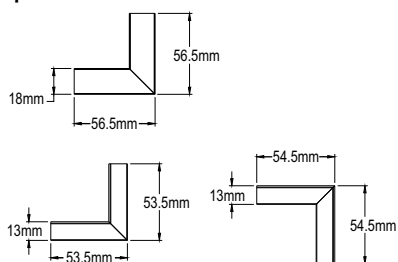
Model No.	voltage	Power	Luminous	Effective	CRI	CCT	Working Tem.
SL-L01A95	DC24V	1.5W	127.5lm	85lm/W	Ra>90	2700K/3000K/4000K/6000K	0~45 °C
SL-L01A285	DC24V	4.5W	382.5lm	85lm/W	Ra>90	2700K/3000K/4000K/6000K	0~45 °C
SL-L01A570	DC24V	9.0W	765.0lm	85lm/W	Ra>90	2700K/3000K/4000K/6000K	0~45 °C
SL-L01A-LHL/LHR	DC24V	1.5W	127.5lm	85lm/W	Ra>90	2700K/3000K/4000K/6000K	0~45 °C
SL-L01A-LVU/LVD	DC24V	1.5W	127.5lm	85lm/W	Ra>90	2700K/3000K/4000K/6000K	0~45 °C

Drawing

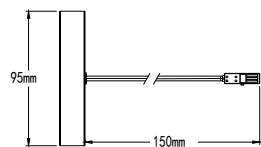
Model	Power (W)	Voltage (V)	L (mm)	L1 (mm)	L2 (mm)
SL-L01A95	1.50	24	95.0	124.0	118.0
SL-L01A285	4.50	24	285.0	314.0	308.0
SL-L01A570	9.00	24	570.0	599.0	593.0



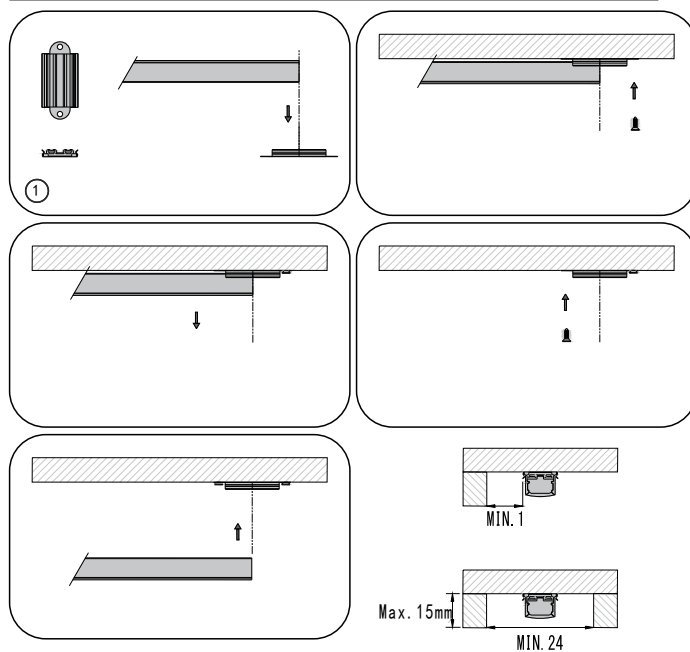
*灯具连接件



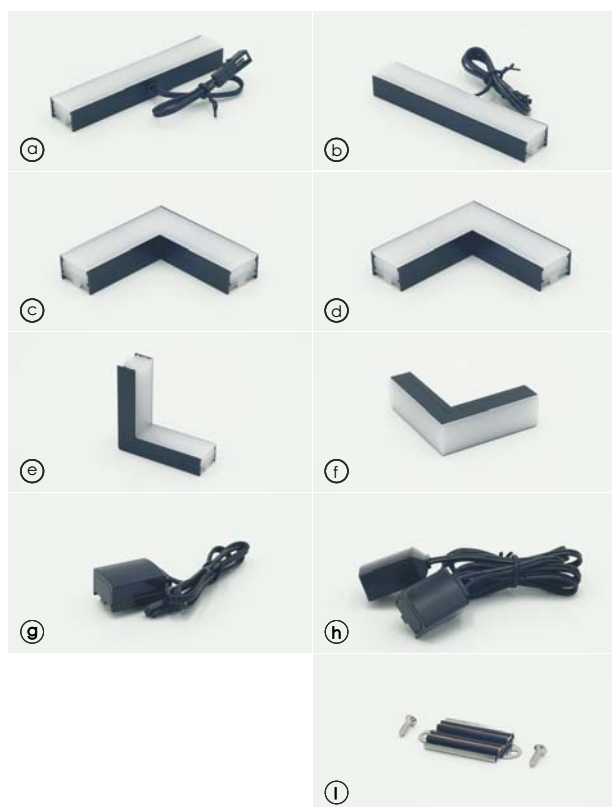
*带灯侧出线供电模块



Installation



配件



- a) Side Feeding Unit SL-L01A-SFA
Power for other light L=15cm,MAX: 4.0A
- b) Side Feeding Unit SL-L01A-SFB
Power For other light L=15cm,MAX: 4.0A
- c) Horizontal L Connector(Left) SL-L01A-LHL
1.5w
- d) Horizontal L Connector (Right) SL-L01A-LHR
1.5w
- e) Vertical L Connector(Upward) SL-L01A-LVU
1.5w
- f) Vertical L Connector(Downward): SL-L01A-LVD
1.5w
- g) Power Feeding Cable: SLTR1-PF

SLTR1-PF-PC03 L=30CM,MAX: 8.0A	SLTR1-PF-PC20 L=200CM,MAX: 8.0A
-----------------------------------	------------------------------------
- h) Jumper Cable for Track: SLTR1-JC

STR1-JC03 L=30CM,MAX: 8.0A	STR1-JC20 L=200CM,MAX: 8.0A
-------------------------------	--------------------------------
- i) Joint Connector SL-L01A-JC



Spot-free Ultra slim LED Linear Light

SL-YG10A

- Ultra Slim Profile
- Spot free lens options
- Multiple length for easy configuration
- End to end connection
- Dimmable with accessories
- DC24V constant voltage
- Used for Display, Counters, showroom etc.



All accessories

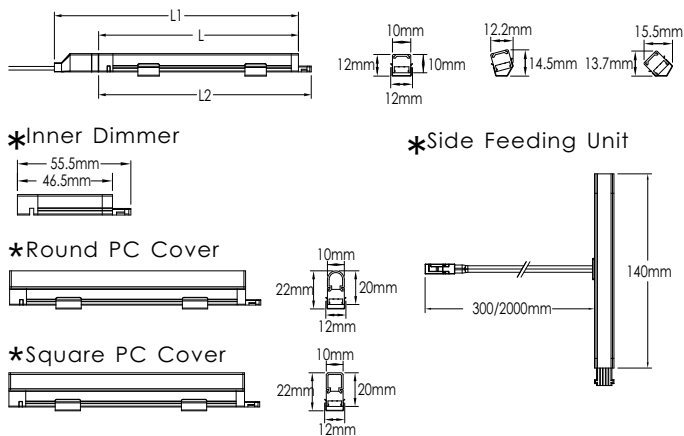


Parameters

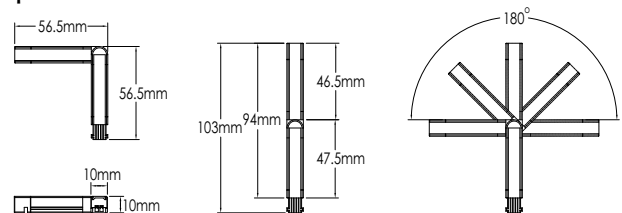
Model	Voltage	Power	Luminous	Effective	CRI	CCT	Work Temp.
SL-YG10A2WD2	DC24V	1.9W	142.5lm	75lm/W	Ra>90	2700K/3000K/4000K6000K	0~45 °C
SL-YG10A4WD2	DC24V	3.8W	285.0lm	75lm/W	Ra>90	2700K/3000K/4000K6000K	0~45 °C
SL-YG10A8WD2	DC24V	7.6W	570.0lm	75lm/W	Ra>90	2700K/3000K/4000K6000K	0~45 °C
SL-YG10A12WD2	DC24V	11.4W	855.0lm	75lm/W	Ra>90	2700K/3000K/4000K6000K	0~45 °C
SL-YG10A16WD2	DC24V	15.2W	1140.0lm	75lm/W	Ra>90	2700K/3000K/4000K6000K	0~45 °C
SL-YG10A-SF	DC24V	1.9W	142.5lm	75lm/W	Ra>90	2700K/3000K/4000K6000K	0~45 °C
SL-YG10A-FC	DC24V	1.9W	95.0lm	50lm/W	Ra>90	2700K/3000K/4000K6000K	0~45 °C

Drawing

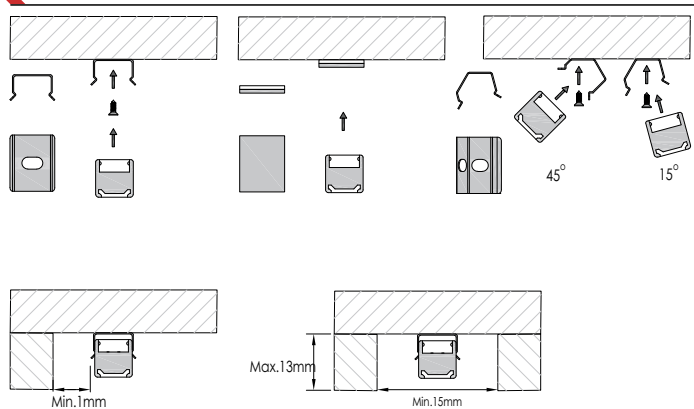
Model	Power (w)	Voltage (v)	L (mm)	L1 (mm)	L2 (mm)
SL-YG10A2WD2	1.9	24	140	171	149
SL-YG10A4WD2	3.8	24	280	311	289
SL-YG10A8WD2	7.6	24	560	591	569
SL-YG10A12WD2	11.4	24	840	871	849
SL-YG10A16WD2	15.2	24	1120	1151	1129



*Flexible L Connector



Installation



Accessories



- Ⓒ Sidefeeding Unit: SL-YG10A-SF
L=15/200cm,MAX:4.0A
- Ⓓ Flexible L Connector: SL-YG10A-FC
- Ⓒ Power Cable: SL-YG10A-PC

SL-YG10A-PC03	SL-YG10A-PC20
L=30CM,MAX: 4.0A	L=200CM,MAX: 4.0A
- Ⓓ Jumper Cable: SL-YG10A-JC

SL-YG10A-JC03	SL-YG10A-JC20
L=30CM,MAX: 4.0A	L=200CM,MAX: 4.0A
- Ⓔ Mounting Clips(Standard): SL-YG10A-MCA
- Ⓕ Mounting Clips (15°/45°): SL-YG10A-MCB
- Ⓒ Inner Dimmer: SL-YG10A-TD
MAX: 3.0A 72W
- Ⓖ End Cap: SL-YG10A-EC